

TLI-BL-WP

LED EMERGENCY WEATHERPROOF BATTEN

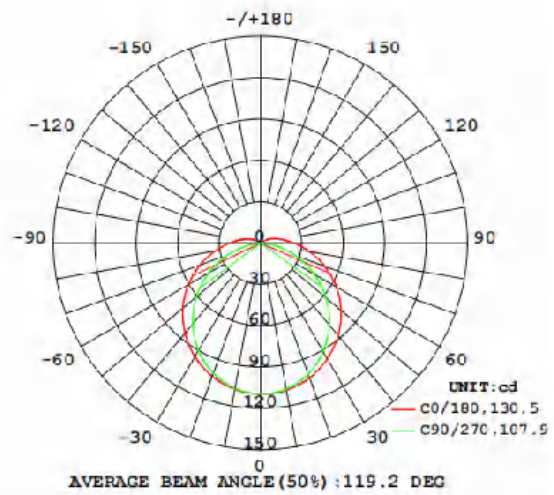
TECHNICAL

Driver	Tridonic
Battery	LiFePO4 3.2 V3.3 Ah
Color Temperature	4000/5000/6500k adjustable
Luminous	115lm/W
CRI	>85
Classification	C0/120°, C90/100°
Duration Time	>2h
Recharge Period	16h

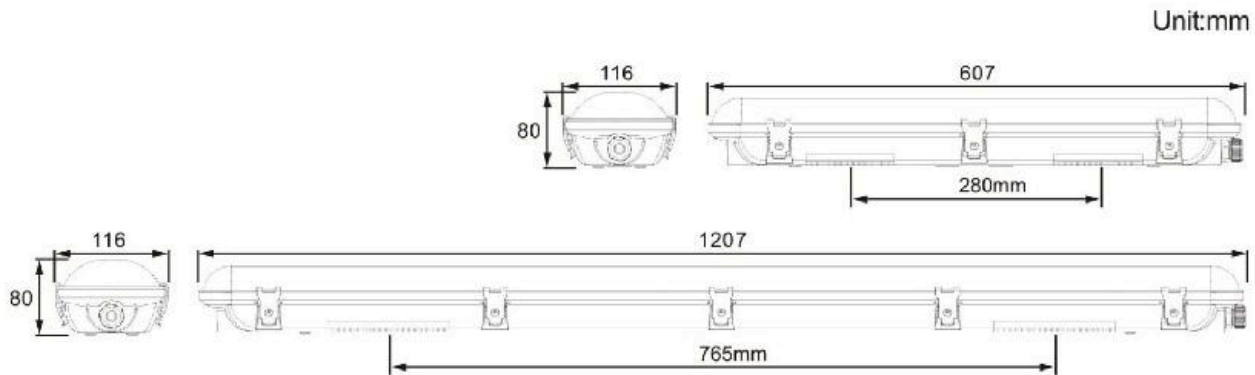
FEATURES & BENEFITS

Protection Class	Class I
Operating Temperature	0~40°C
IK Rating	IK 08
Ingress Protection (IP Rating)	IP 65
Power Factor (PF)	≥0.9
Approval	SAA/RoHS/CE/CB

OPTICS



INSTALLATION & ACCESSORIES



DATA SHEET

CODE	WATT	INPUT VOLTAGE	DIMENSION(mm)	CLASSIFICATION	LuminousFlux
TLI-BL1200B-40EM-WP	40W	AC220-240	1207x116 x80	C0/D50, C90/D32,C0/D63, C90/D40	4400lm 350 lm (EM)
TLI-BL600B-25EM-WP	25W	AC220-240	607x116 x80	C0/D50, C90/D32,C0/D63, C90/D40	3000 lm 350 lm(EM)
TLI-BL1200WP01	40W	AC220-240	1207x116 x80	N/A	4400lm
TLI-BL600WP01	25W	AC220-240	607x116 x80	N/A	3000lm